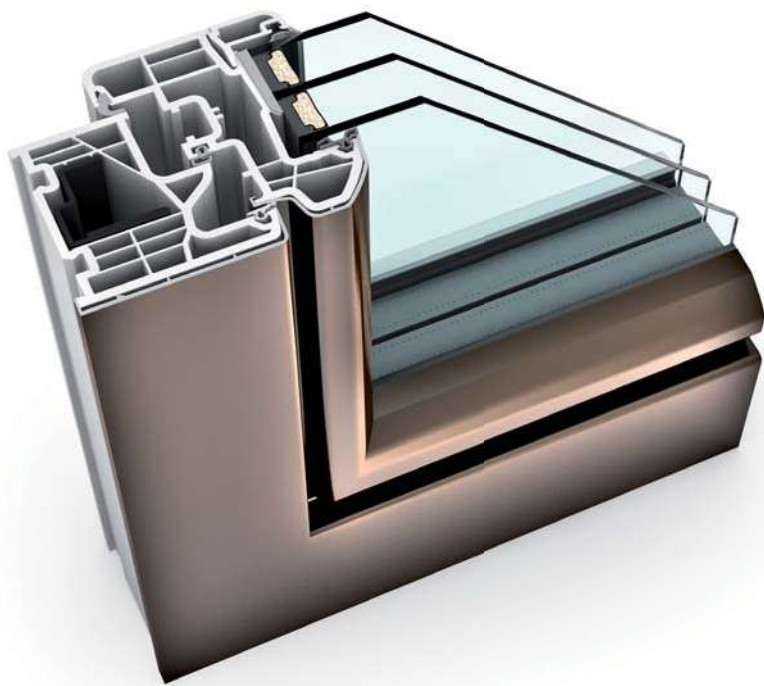




KF 310 UPVC & UPVC/ALUMINIUM WINDOW



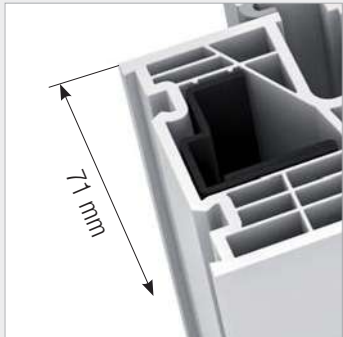
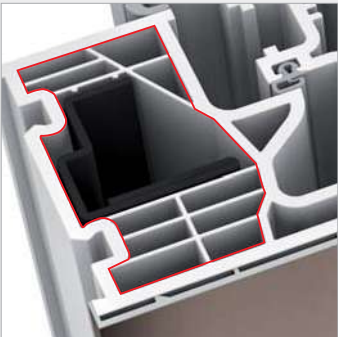
PROPERTIES

	Thermal insulation	U_w as low as 0.69 W/(m ² K)
	Sound reduction	up to 45 dB
	Security	RC1N, RC2
	Locking	concealed
	Construction depth	71/74 mm

I-tec Glazing



Experience KF 310 interactively now with Augmented Reality

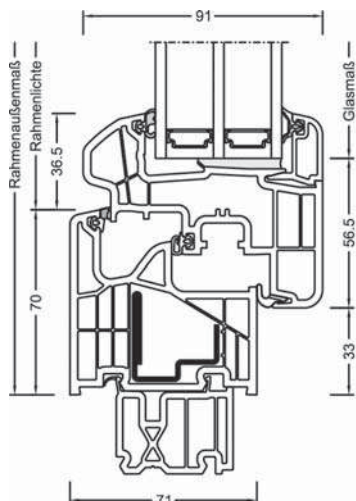


KF 310
 Rounded edges of sash and frame always ensure harmony and aesthetics with this UPVC window in classic white or with protective aluminium attachment clad. I-tec glazing, the all around bonding of the glass pane, renders the window very stable and increases burglary protection. The new 6-chamber frame profile ensures even better thermal insulation. KF 310 with its construction depth of 71 mm (or 74 mm with aluminium clad) is a slimline window.

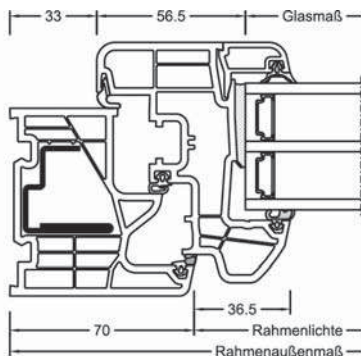


Sections

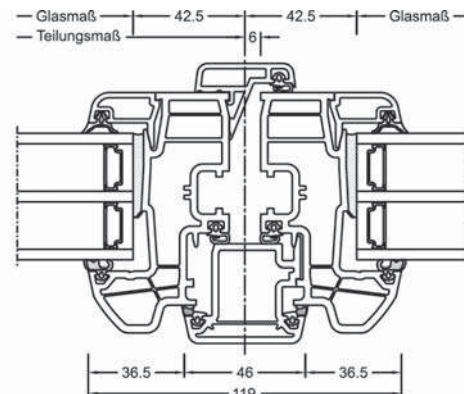
Vertical



Horizontal



Flying mullion



Values

Glass setup	Glass Code	Spacer	Coating	Ug	g	Uf	Psi	Uw	Thermal certificate	Rw	C	Ctr	Sound certificate
4/16Ar/b4	20L	Iso	light	1.1	65%	1.2	0.038	1.2	YES	33	-2	-6	YES
		Alu	light	1.1	65%	1.2	0.065	1.3	YES	33	-2	-6	YES
8/12Kr/b4	2KA	Iso	light	1.0	63%	1.2	0.038	1.1	YES	37			no
		Alu	light	1.0	63%	1.2	0.065	1.2	YES	37			no
4b/18Ar/4/18Ar/b4	3N2	Iso	light	0.5	54%	1.1	0.034	0.76	YES	34	-2	-6	YES
			SolarXPlus	0.5	60%	1.1	0.034	0.76	YES	34	-2	-6	YES
		Alu	light	0.5	54%	1.1	0.075	0.86	YES	34	-2	-6	YES
			SolarXPlus	0.5	60%	1.1	0.075	0.86	YES	34	-2	-6	YES
6b/18Ar/4/16Ar/b4	33U	Iso	light	0.5	54%	1.1	0.034	0.76	YES	39	-2	-6	YES
			SolarXPlus	0.5	59%	1.1	0.034	0.76	YES	39	-2	-6	YES
		Alu	light	0.5	54%	1.1	0.075	0.86	YES	39	-2	-6	YES
			SolarXPlus	0.5	59%	1.1	0.075	0.86	YES	39	-2	-6	YES
44b.2(VSG-S)/15Ar/4/12Ar/ b44.2(VSG-S)	3FH	Iso	light	0.7	50%	1.1	0.034	0.90	YES	45	-2	-6	YES
			SolarXPlus	0.7	55%	1.1	0.034	0.90	YES	45	-2	-6	YES
		Alu	light	0.7	50%	1.1	0.075	1.0	YES	45	-2	-6	YES
			SolarXPlus	0.7	55%	1.1	0.075	1.0	YES	45	-2	-6	YES